



MODULAR LINE™

Modular Automatic Kebab System

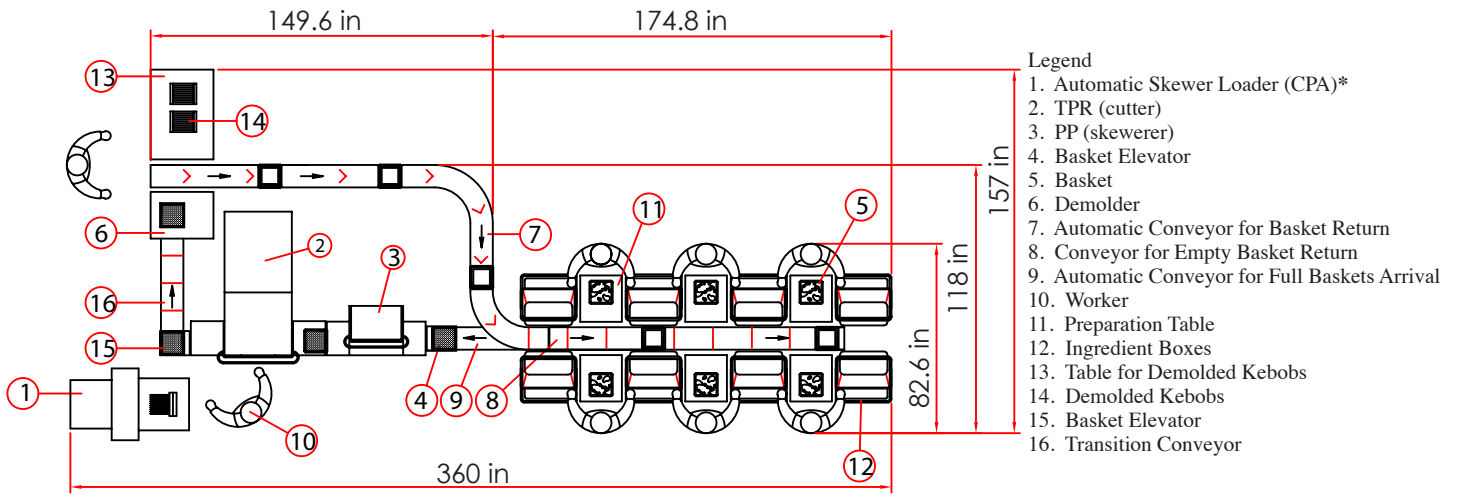
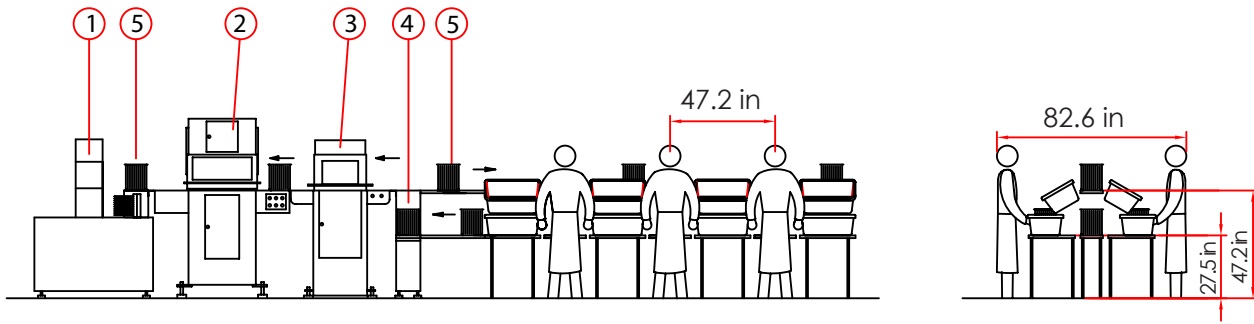
High production requirements? The **Modular Line™** is your solution. At up to 12,000 kebobs per hour production, this line maximizes portion control while it minimizes labor costs, resulting in a tasty combination... on a plate and on the bottom line.



Technical Specifications

Capacity	Up to 12,000 kebobs/hr
Baskets/Hr	Up to 120
Cycle Time	15 seconds
Versatile	Quick change over to different sizes
Power	6-8 Bars Air & 230V/440V 3Ph Electric
Includes	20 Stainless Baskets, Automatic Demolder, Cutter machine, Skewer machine, 2 Basket Elevators
Options	Skewer Loader, Loading Stations, Packaging Stations
Machine Operators	2 to 3
Process Operators	8 to 10





- Legend
- 1. Automatic Skewer Loader (CPA)*
 - 2. TPR (cutter)
 - 3. PP (skewerer)
 - 4. Basket Elevator
 - 5. Basket
 - 6. Demolder
 - 7. Automatic Conveyor for Basket Return
 - 8. Conveyor for Empty Basket Return
 - 9. Automatic Conveyor for Full Baskets Arrival
 - 10. Worker
 - 11. Preparation Table
 - 12. Ingredient Boxes
 - 13. Table for Demolded Kebobs
 - 14. Demolded Kebobs
 - 15. Basket Elevator
 - 16. Transition Conveyor

*CPA Skewer Loader is an Add-on Option

Kebobs per Basket	Skewer Length Min & Max	Ingredient Length Min & Max	Square Dimensions of Ingredients	Weight Range Min & Max
49	5.9 in (150 mm) to 9.80 in (250 mm)	3.9 in (100 mm) to 7.3 in (185 mm)	1.25 in x 1.25 in 32 mm x 32 mm	5.6 oz (160 g) to 7.0 oz (200 g)
64	5.9 in (150 mm) to 9.80 in (250 mm)	3.9 in (100 mm) to 7.3 in (185 mm)	1.08 in x 1.08 in 27.5 mm x 27.5 mm	3.5 oz (100 g) to 5.6 oz (160 g)
81	5.9 in (150 mm) to 9.80 in (250 mm)	3.9 in (100 mm) to 7.3 in (185 mm)	0.98 in x 0.98 in 25 mm x 25 mm	2.8 oz (80 g) to 4.6 oz (130 g)
100	5.9 in (150 mm) to 9.80 in (250 mm)	3.9 in (100 mm) to 7.3 in (185 mm)	0.87 in x 0.87 in 22 mm x 22 mm	2.1 oz (60 g) to 3.7 oz (105 g)

KEBOB
System **TECHNOLOGY**™

MODULAR LINE™